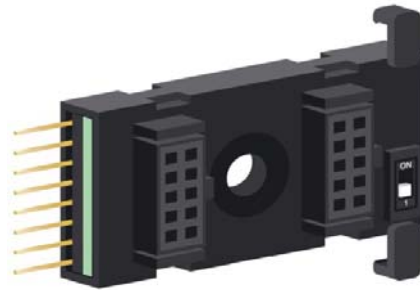


Z-PC-DIN – Backplane bus / power supply support for SENECA I/O modules

Z-PC-DINAL2-17.5



Z-PC-DIN2-17.5



Z-PC-DINAL1-35



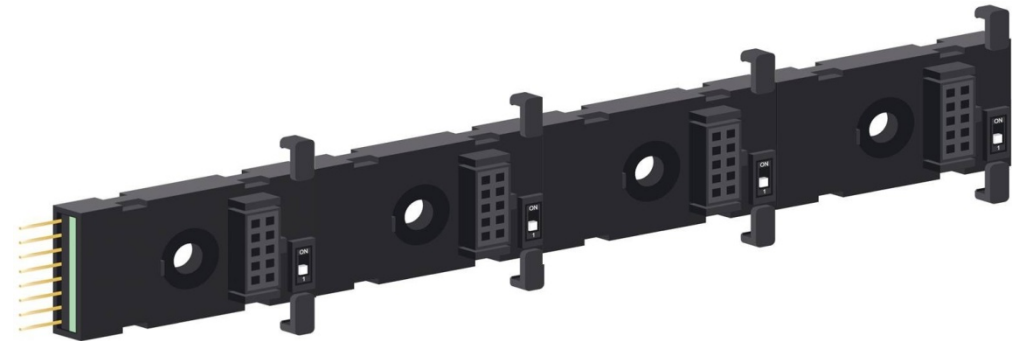
Z-PC-DIN1-35



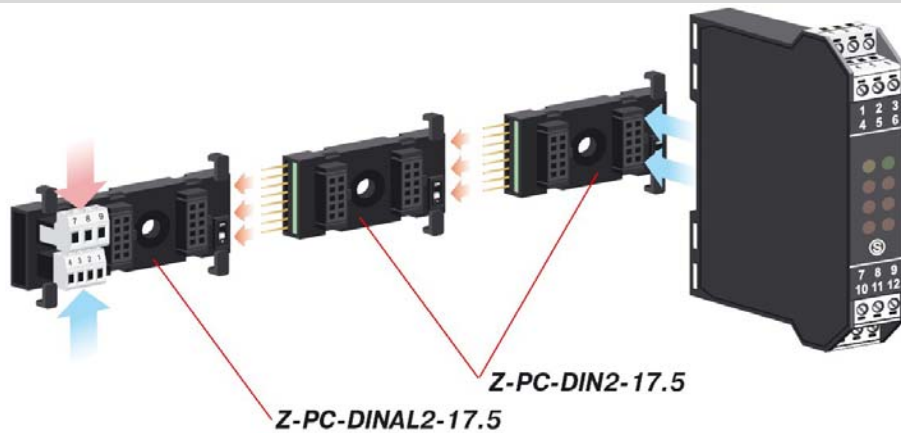
Z-PC-DIN8-17.5



Z-PC-DIN4-35



17.5 mm MODULES CONNECTION



35 mm MODULES CONNECTION

