

PLUG-IN SIGNAL CONDITIONERS

Api 4051 S A-B

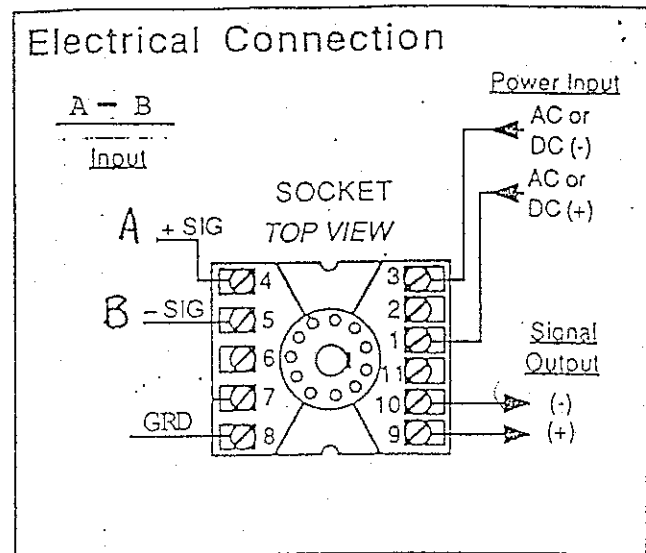
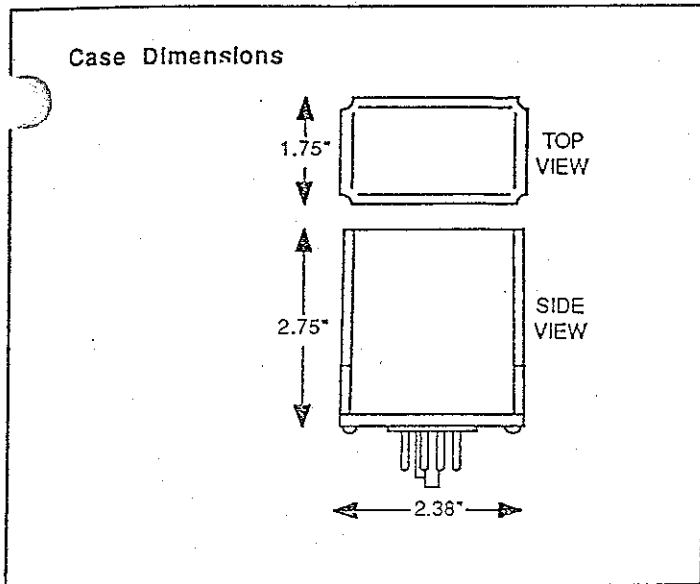
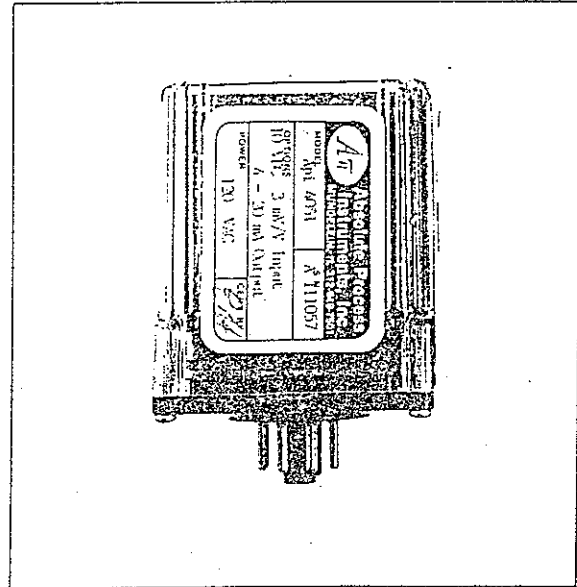
Output to DC Transmitter

FEATURES

- * Functional Test Pushbutton
- * Voltage or Current Outputs

CALIBRATION

The unit comes from the factory calibrated to customer specifications. However, Span and Zero controls are available thru the top cover for those wishing to change or re-calibrate the unit. Calibration requires an accurate signal source and measuring equipment, such as an accurate Digital Voltmeter and should be done only by Factory Authorized Personnel in order to maintain Warranty of the Plug-Ins. The Functional Test Pushbutton, when depressed, sets the Output to 50% of Span, independent of the Input.



Api 4051 Electrical Specifications	
Input Impedance	200K Ω minimum
Input Protection, Common Mode	600V (DC or peak AC)
Output Capability (Voltage)	± 10 VDC, ± 10 mA
(Current)	50mADC, 18V compliance (without LoopTracker LED)
(Current)	20mADC, 16V compliance (with LoopTracker LED)
Linearity	Better than 0.1% of Span
Excitation (Internal Adjustment)	4 to 12VDC, 40mA maximum
Excitation Stability	$\pm 0.005\%$ per $^{\circ}$ C
Response Time	70mS typical
Common Mode Rejection	100dB minimum
Temperature Stability	Better than .02% of Span per $^{\circ}$ C
Ambient Temperature Range (Operating)	-10 to +60 $^{\circ}$ C
Power (Standard)	115VAC $\pm 10\%$ 50/60Hz
(Optional)	230VAC $\pm 10\%$ 50/60Hz, 12/24VDC