

**Input:** 0-100 mV to 300 VDC, 0-1 mA to 0-900 mADC, 4-20 mADC  
**Output:** Two 8 Amp SPDT Relays

- Factory Set Input Range
- Removable Plugs for Faster Installation
- Input LoopTracker® and Alarm Status LEDs
- Full 1200 V Isolation
- Alarm Test, Optional Reset Button
- Built-In Loop Power Supply for Sink/Source Input

**Applications**

- Process Limit Backup Alarm
- Tank Level Alarm
- Process Signal Over, Under, Out-of-Range Alarm

**DC Input Range**

Factory configured, please specify input type and range  
 Consult factory for special ranges  
 Voltage: 0-100 mVDC to 0-300 VDC  
 Current: 0-1 mADC to 0-20 mADC, 4-20 mADC

**Input Impedance and Burden**

Voltage: 250 kΩ minimum  
 Current: 50 Ω typical  
 Voltage burden: 1.25 VDC at 20 mA current input

**Isolation**

Power to input isolation: 1200 V  
 Common mode protection: 600 VAC<sub>p</sub> or 600 VDC

**Input Loop Power Supply**

15 VDC ±10%, regulated, 25 mADC, max. ripple, <10 mVrms  
 May be selectively wired for sinking or sourcing mA input

**LoopTracker**

Variable brightness LED indicates input loop level and status

**APD 1000 Relay Output**

Single setpoint dual SPDT Form C contact sets  
 Standard: HI alarm, non-latching, normal acting  
 Options: LO alarm, latching, reverse acting

**APD 1020 Relay Output**

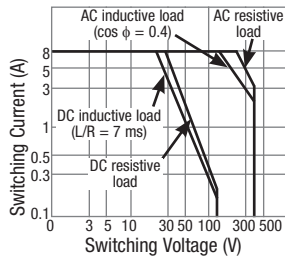
2 independent setpoint SPDT Form C contact sets  
 Standard: HI/LO alarm, non-latching, normal acting  
 Options: LO/LO, HI/LO, LO/LO alarms, latching, reverse acting

**APD 1030 Relay Output**

2 independent setpoint SPDT Form C contact sets  
 Standard: Band alarm (both alarms trip if outside LO and HI trip points), non-latching, normal acting  
 Options: Inverse band alarm, latching, reverse acting

**Relay Contact Ratings**

8 A max @ 240 VAC resistive load  
 External contact protection such as an RC snubber is recommended for inductive loads



**Setpoint**

12 turn potentiometer adjustable from 0 to 100% of span

**Deadband**

12 turn potentiometer adjustable from 1 to 100% of span

**Output Test/Reset Button**

Front button or external contact closure toggles relays to opposite state when pressed.  
 Resets relay if latching relay option is ordered

**Response Time**

70 milliseconds typical

- Removable Plugs
- Two 8 Amp SPDT Alarm Relays
- Alarm Test Function
- Input LoopTracker LED
- Alarm Status LED
- Adjustable Deadband and Setpoint
- Custom Input Ranges
- Universal Power



File E145968  
 85-265 VAC, 60-300 VDC model only

Free Factory I/O Setup!

Quick Link  
[api-usa.com/1000](http://api-usa.com/1000)



**Dimensions**

0.89" W x 4.62" H x 4.81" D  
 (22.5 x 117 x 122 mm)  
 Height includes connectors

**Ambient Temperature Range and Stability**

-10°C to +60°C operating ambient  
 Better than 1% of span over operating temperature range  
 Better than 0.02% of span per °C

**Housing and Connectors**

IP 40, requires installation in panel or enclosure  
 For use in Pollution Degree 2 Environment  
 Mount vertically to 35 mm DIN  
 Four 4-terminal removable connectors, 14 AWG max wire size

**Power**

85-265 VAC, 50/60 Hz or 60-300 VDC, 2 W maximum  
 D versions: 9-30 VDC or 10-32 VAC 50/60 Hz, 2 W maximum

Model	Input	Standard Alarm Configuration	Power
APD 1000	Factory ranged, specify mV, V, or mA range	Single setpoint dual SPDT relays	85-265 VAC or 60-300 VDC
APD 1000 D		HI alarm, non-latching, normal acting	9-30 VDC or 10-32 VAC
APD 1020		2 setpoints, 2 SPDT relays	85-265 VAC or 60-300 VDC
APD 1020 D		HI/LO alarms, non-latching, normal acting	9-30 VDC or 10-32 VAC
APD 1030		2 setpoints, 2 SPDT relays	85-265 VAC or 60-300 VDC
APD 1030 D	Band alarm, non-latching, normal acting	9-30 VDC or 10-32 VAC	

**Alarm Options—add to end of model number**

- L APD 1000 with LO trip. Alarm trips on decreasing signal.
- HH APD 1020 with HI/LO trip. Alarms trip at their respective trip points on increasing signal.
- LL APD 1020 with LO/LO trip. Alarms trip at their respective trip points on decreasing signal.
- LH APD 1020 with LO/LO trip. Alarm 1 trips on decreasing signal. Alarm 2 trips on increasing signal.
- IB APD 1030 with Inverse Band alarm. Both alarms trip if signal is between LO and HI trip points.

**Description**

The APD 1000, 1020, and 1030 accept a DC voltage or current input and provide a visual alarm indication and alarm relay contact outputs.

The input type, range, and alarm types are factory configured. Front-accessible potentiometers are used to adjust each alarm setpoint and deadband.

**LoopTracker and Alarm Status LEDs**

API exclusive features include a LoopTracker LED that varies in intensity with changes in the process input signal. A red/green bi-color alarm status LED (two on the APD 1020 and 1030) visually indicate alarm status. These LEDs provide a quick visual picture of your process at all times.

**Output Test / Unlatch**

API's exclusive Output Test button can be used to verify the alarm and system operation and also provides the additional function of unlatching the alarm when the latching option has been ordered. This feature can be remotely operated.

The output test button greatly aids in saving time during initial startup and/or troubleshooting.

- HT Latching alarm with push button reset
- HP Latching alarm with power-off reset. Module power must be turned off to reset alarms
- R Reverse-acting alarms. Relay coils energized in an alarm condition. No alarm condition with module power off.
- U Conformal coating for moisture resistance

**Spare Connector**

API BP4 4 terminal plug, black

## Precautions

**WARNING!** All wiring must be performed by a qualified electrician or instrumentation engineer. See diagram for terminal designations and wiring examples. Consult factory for assistance.

**WARNING!** Avoid shock hazards! Turn signal input, output, and power off before connecting or disconnecting wiring, or removing or installing module.

## Précautions

**ATTENTION!** Tout le câblage doit être effectué par un électricien ou ingénieur en instrumentation qualifié. Voir le diagramme pour désignations des bornes et des exemples de câblage. Consulter l'usine pour assistance.

**ATTENTION!** Éviter les risques de choc! Fermez le signal d'entrée, le signal de sortie et l'alimentation électrique avant de connecter ou de déconnecter le câblage, ou de retirer ou d'installer le module.

## Input

The input range is factory configured. See the model/serial number label for module information, input type, input range and options. Inputs are connected as shown in the wiring diagrams.

## Alarm Types

Note that the deadband is symmetrical about the setpoint; relay trip and reset points will both change if either the setpoint or deadband are changed.

**High Alarm (default, H, or HH):** The alarm relay changes state when the input exceeds the deadband trip point. The relay resets when the input drops below the deadband reset point. For a high alarm, the trip point is above the reset point.

**Low Alarm (L or LL):** The alarm relay changes state when the input goes below the deadband trip point. The relay resets when the input exceeds the deadband reset point. For a low alarm the trip point is below the reset point.

**Band Alarm:** Both alarm relays change state when the input is outside either deadband trip point.

**Inverse Band Alarm (IB):** The alarm relay changes state when the input is inside either deadband trip point.

**HT:** Latching alarm with push button reset

**HP:** Latching alarm with power-off reset. Module power must be turned off to reset alarms

**R:** Reverse-acting alarms. Relay coils energized in an alarm condition. No alarm condition with module power off.

## Relay Output Terminals

See wiring diagrams below right for connections. APD modules do not provide power to the relay contacts. Inductive loads (motors, solenoids, contactors, etc.) will greatly shorten relay contact life unless an appropriate RC snubber is installed.

The APD 1000 operates two sets of relays in unison with a single setpoint. The dual SPDT contact sets are in a Form C configuration.

The APD 1020 operates two sets of relays independently, each with its own setpoint. The dual SPDT contact sets are in a Form C configuration.

The APD 1030 operates two sets of relays, each with its own setpoint in a band alarm configuration. The dual SPDT contact sets are in a Form C configuration.

## Module Power Terminals

Check model/serial number label for module operating voltage to make sure it matches available power.

When using DC power, either polarity is acceptable, but for consistency with similar API products, positive (+) can be wired to terminal 13 and negative (-) can be wired to terminal 16.

## Mounting to a DIN Rail

Install module vertically on a 35 mm DIN rail in a protective enclosure away from heat sources. Do not block air flow.

1. Tilt front of module downward and position against DIN rail.
2. Clip lower mount to bottom edge of DIN rail.
3. Push front of module upward until upper mount snaps into place.

## Removal

1. Push up on the bottom back of the module.
2. Tilt front of module downward to release upper mount from top edge of DIN rail.
3. The module can now be removed from the DIN rail.

## Setup and Calibration

The input range is factory calibrated and does not require adjustment.

Relay operation is factory configured. See model/serial number label for relay configurations.

The Setpoint potentiometer allows the operator to adjust the level at which the alarm is activated. This control is adjustable from 0 to 100% of the input range.

The Deadband potentiometer allows the alarm trip and reset window to be adjusted symmetrically about the setpoint from 1 to 100% of the span. This allows the operator to fine tune the point at which the alarm trips and resets. The deadband is typically used to prevent chattering of the relays or false trips when the process signal is unstable or changes rapidly.

To calibrate the alarm section, set the deadband control to the minimum (counterclockwise). The deadband will be 1.0% of input span in this case.

Set the signal source to a reference that represents the desired trip point.

Adjust the setpoint control to the point at which the relay changes state from a non-alarm to an alarm condition.

If a larger amount of deadband is desired turn the deadband potentiometer clockwise. The deadband is symmetrical about the setpoint; both transition points will change as deadband is increased.

Relay set and reset points will both change if the setpoint or deadband are changed. Alternately set the setpoint and deadband until the desired trip and reset points are set.

## Output Test Function

When the front test button is depressed it will drive the relays to their opposite state. A customer-supplied switch connected to terminal 4 and 8 can also be used to toggle the relays. When released, the relays will return to their prior states.

This can be used as a diagnostic aid during initial start-up or troubleshooting, or as a manual over-ride function. The Test button also resets the relays on models with the HT option.

## Operation

The green LoopTracker® input LED provides a visual indication that a signal is being sensed by the input circuitry of the module. It also indicates the input signal strength by changing in intensity as the process changes from minimum to maximum.

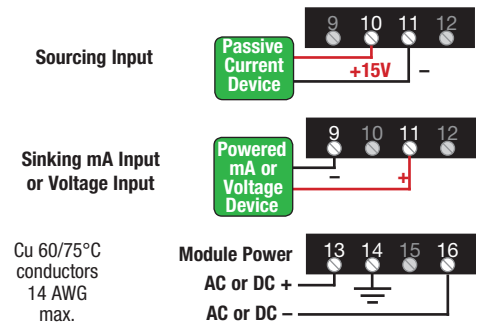
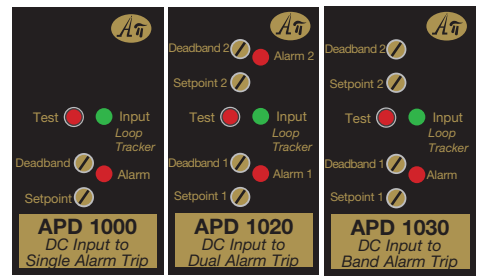
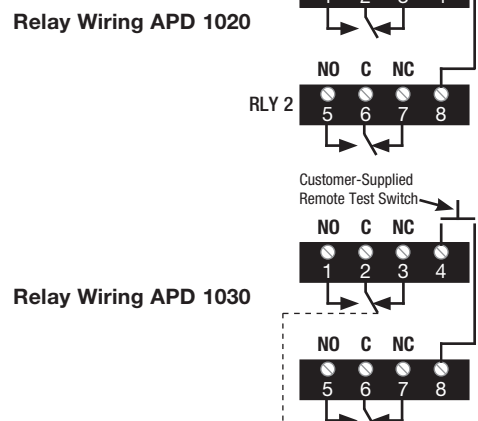
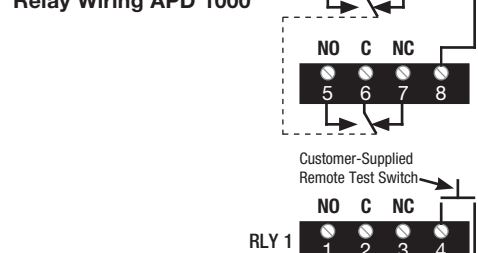
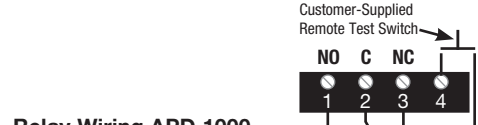
If the LED fails to illuminate, or fails to change in intensity as the process changes, check the module power or signal input wiring. Note that it may be difficult to see the LEDs under bright lighting conditions.

The bi-color alarm LED provides a visual indication of the alarm status. In all configurations, a green LED indicates a non-alarm condition and a red LED indicates an alarm condition.

In the normal mode of operation, the relay coil is energized in a non-alarm condition and de-energized in an alarm condition. This will create an alarm condition if the module loses power. For a normal acting, non-latching configuration, the alarm will activate when the input signal exceeds the setpoint (HI alarm) or falls below the setpoint (LO alarm), then will automatically reset when the alarm condition no longer exists.

For a reverse acting alarm, the relay coil is de-energized in a non-alarm condition and energized in an alarm condition. The alarm activates when the input signal exceeds the setpoint (HI alarm) or falls below the setpoint (LO alarm), then automatically resets when the alarm condition no longer exists.

For models with the latching relay option, it will be necessary to push the Test button or remove power from the module to reset the alarm, depending on the type of latching option. The alarm will only reset if the alarm condition no longer exists.



API maintains a constant effort to upgrade and improve its products. Specifications are subject to change without notice. Consult factory for your specific requirements.