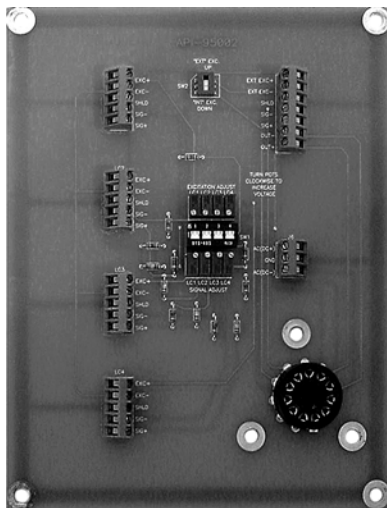


Absolute Process Instruments, Inc.
 800-942-0315 www.api-usa.com

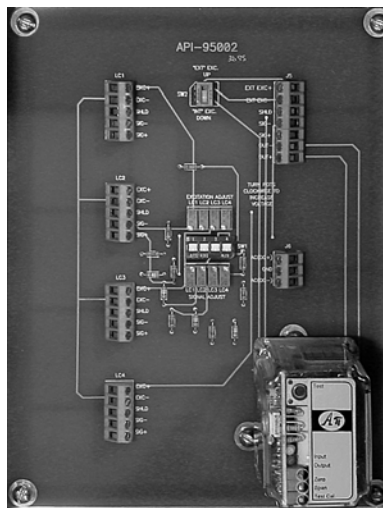
API SUM 000
Strain Gauge Summing Board

API SUM 025
Strain Gauge Summing Board with API 4059 G Signal Conditioning Module

Installation – Calibration – Operation



API SUM 000



API SUM 025

Table of Contents

	Page
Functional Description.....	2
Specifications	2
Board Installation	2
Wiring	3
API SUM 000 Setup.....	4
API SUM 000 Excitation Voltage Calibration	5
API SUM 000 Load Cell Calibration	6
API SUM 025 Setup.....	7
API SUM 025 Calibration	8
API SUM 025 Excitation Voltage Calibration	9
API SUM 025 Load Cell Calibration	10
API SUM 025 Final Adjustment.....	10
API SUM 025 Troubleshooting	11
Strain Gauge (Load Cell) Information	12

API SUM Strain Gauge Summing Board

FUNCTIONAL DESCRIPTION

The **API SUM 000** Strain Gauge Summing Assembly consists of a sum board and an optional field rangeable strain gauge signal conditioning module that plugs into the 11-pin socket on the board. The board will accept up to four 350 Ω (or greater) strain gauges (load cells) and provide an output proportional to the sum of the active strain gauges. The API SUM board can be mounting in commonly available NEMA enclosures.

If a strain gauge signal conditioning module is not used, the **API SUM 000** functions as summing board for the active strain gauges (load cells). A stable external excitation supply must be connected to the board. The resulting output will be an unconditioned mVDC signal equal to the sum of the active strain gauges (load cells).

The **API SUM 025** Strain Gauge Summing Assembly consists of the sum board and the **API 4059** field rangeable strain gauge signal conditioning module that plugs into the 11-pin socket on the board. The strain gauge signal conditioning module provides a stable source of excitation (field-rangeable from 1 to 10 VDC) sufficient to power up to four 350 Ω strain gauges (load cells). The signal conditioner can also be field-ranged for various input sensitivities. The signal conditioner can also be field-ranged for DC voltage outputs up to ± 10 VDC or DC current outputs up to 20 mADC. An offset adjustment on the signal conditioner allows the user to cancel or "tare" non-zero deadweights in the application. Refer to the data sheet for the **API 4059**.

Exclusive features of API strain gauge signal conditioning module include two **LoopTracker[®] LEDs** and the **Functional Test Pushbutton**. The LoopTracker LEDs (green for input, red for output) act as power-on indicators and track the signal strength by varying in intensity as the process variable changes. The LoopTracker greatly aids in setup and troubleshooting of your system.

The **Functional Test Pushbutton**, when depressed, will generate an output independent of the input signal. This output is preset at the factory at 50% of the calibrated output, but can be scaled in the field from 0 to 100% of the selected output via a top-accessible multi-turn potentiometer.

SPECIFICATIONS

Dimensions

Board only:	6.85" Wide X 8.75" High X 0.75" Deep
Board material thickness:	0.094"
With API 4059 G :	6.85" Wide X 8.75" High X 3.75" Deep

Strain Gauge Inputs

Up to four 350 Ohm (or greater) strain gauges (load cells)

API SUM 025 Signal Conditioning Module Specifications

Power:	115 VAC standard, 2.5 Watts maximum
Optional power:	230 VAC with API 4059 G A230
Optional power:	9-30 VDC using API-4059 G D

API SUM 025 Strain Gauge Excitation Supply

Field-rangeable from 1 to 10 VDC

Strain Gauge Sensitivity/Signal

Field-rangeable sensitivities. Refer to corresponding module data sheet for details.

API SUM 025 DC Voltage or Current Outputs

Field-rangeable DC voltages from -10 VDC to +10 VDC

Field-rangeable DC currents up to 20 mADC at 20 VDC compliance

BOARD INSTALLATION

Ensure proper operation and protection by securely mounting for the API SUM board and strain gauge signal conditioning module (if used) in an enclosure designed for the environment in which it will be used. Appropriate wire glands must be used to route wiring into housing.

API will not be responsible for damage that occurs or any code violations due to improper enclosure selection or installation.

Seven mounting holes are provided—one at each corner for securing the board and three surrounding the eleven-pin socket for added support at the socket.

The board must be spaced a minimum of ¼ inch from the mounting surface using commonly available insulated spacers.

The board must be secured at all four corners. If the signal conditioning module is used, insulated spacers and fasteners **MUST** be used for the three mounting holes around the socket as well.

API SUM Strain Gauge Summing Board

WIRING PRECAUTIONS

WARNING! TURN OFF ALL POWER BEFORE WIRING!

To avoid interference, all power wiring must be kept separate from the strain gauge and DC output wiring!

Wiring for each strain gauge (load cell) must be kept separate from other strain gauge, power, or output wiring. Each strain gauge (load cell) should be routed separately and directly to its corresponding terminal block.

Connect the strain gauges (load cells) to the appropriate terminal blocks **LC1**, **LC2**, **LC3**, and **LC4**. Refer to the load cell manufacturer's wiring diagram for correct wiring.

API SUM 000 WIRING

DISCONNECT POWER TO THE EXCITATION SUPPLY DURING INSTALLATION!

Connect the external excitation supply wiring to terminal block **J5**, terminals 1 (**EXT EXC+**) and 2(**EXT EXC-**). Observe wiring polarity.

The summed mV output from the strain gauges is present at terminal block **J5** terminal 6 **OUT -** and **J5** terminal 7 **OUT +**. Use these terminals to connect your external device to read the summed strain gauge output.

Ensure all connections are correctly wired and securely tightened. Proceed to "API SUM 000 SETUP".

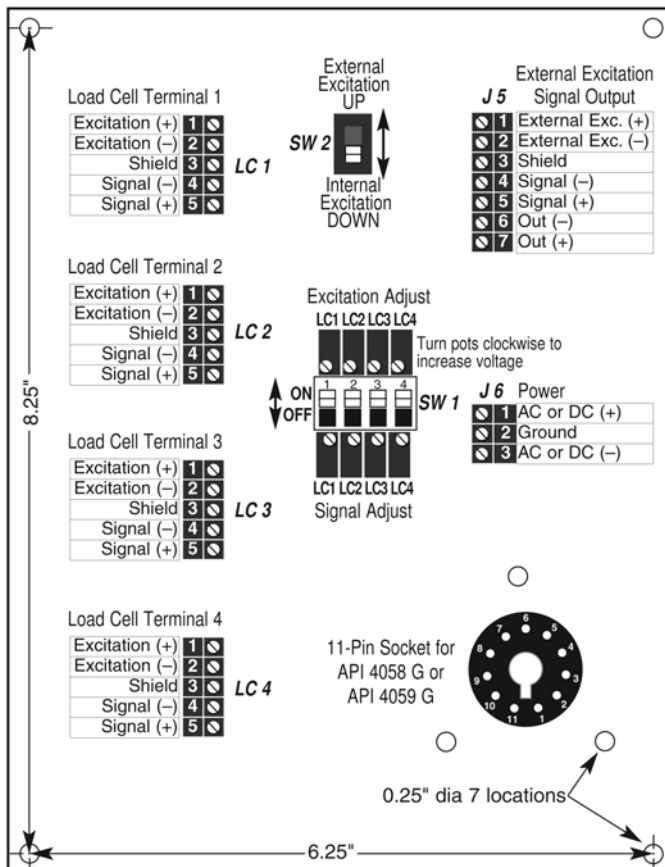
API SUM 025 WIRING

ALL POWER MUST BE DISCONNECTED OR TURNED OFF DURING INSTALLATION!

The summed strain gauge mV signal is converted to a DC voltage or current output by the signal conditioner. This output signal is present at terminal block **J5**, terminals 4 and 5. Connect your compatible external device to read the signal output.

See label on signal conditioner for correct operating power. Connect the appropriate power to terminal block **J6**.

Make sure all connections are correctly wired and securely tightened. Proceed to "API SUM 025 SETUP".



API SUM Strain Gauge Summing Board

API SUM 000 SETUP

1. Set slide switch **SW2** to the **EXT** position (up).
2. The external excitation supply and mVDC output wiring should be connected to terminal block **J5**.
3. For each strain gauge (load cell) installed, the corresponding slide switch (**SW1**) is set to the **ON** (up) position. The load cell terminal blocks and slide switches are matched as follows

Terminal Block **LC1** = **SW1-1**

Terminal Block **LC2** = **SW1-2**

Terminal Block **LC3** = **SW1-3**

Terminal Block **LC4** = **SW1-4**

4. If a strain gauge (load cell) is not being used, slide its corresponding switch to the **OFF** (down) position. The individual switches in **SW1** are used to electrically add or remove the corresponding load cell. This is useful when less than four load cells are used or if one or more must be removed for service.
5. Before calibration, set all **Signal Adjust** potentiometers (**LC1, LC2, LC3, LC4** mounted below **SW1**) to maximum by turning fully clockwise (CW). The potentiometers are 25-turn and a slight clicking sound can be heard and/or felt at the endpoint. The potentiometer will not be damaged by turning beyond the endpoint.
6. Before calibration, set all **Excitation Adjust** potentiometers (**LC1, LC2, LC3, LC4** mounted above **SW1**) to maximum by turning fully clockwise (CW). The potentiometers are 25-turn and a slight clicking sound can be heard and/or felt at the endpoint. The potentiometer will not be damaged by turning beyond the endpoint.

API SUM Strain Gauge Summing Board

API SUM 000 EXCITATION VOLTAGE CALIBRATION

1. Measure and record the Excitation Voltage at terminal block **J5** terminal 1 (**EXC +**) and terminal 2 (**EXC -**).

Terminal Block **J5** (**EXC -** to **EXC +**): Excitation Voltage _____ Volts

2. Measure and record the Excitation Voltage at terminal 1 (**EXC +**) and terminal 2 (**EXC -**) of each load cell terminal block **LC1**, **LC2**, **LC3**, and **LC4** that is being used.

Terminal Block **LC1** (**EXC -** to **EXC +**): Excitation Voltage _____ Volts

Terminal Block **LC2** (**EXC -** to **EXC +**): Excitation Voltage _____ Volts

Terminal Block **LC3** (**EXC -** to **EXC +**): Excitation Voltage _____ Volts

Terminal Block **LC4** (**EXC -** to **EXC +**): Excitation Voltage _____ Volts

3. Each voltage reading should be very close or equal to the excitation voltage supplied externally.
 - 3.1. If the voltage readings are equal, skip to "API SUM 000 LOAD CELL CALIBRATION".
 - 3.2. If they vary by only a few millivolts, skip to step 4.
 - 3.3. If they are zero or vary by more than a few millivolts from the expected voltage, troubleshoot as follows in steps 3.3.1 through 3.3.4.
 - 3.3.1. Confirm that switch **SW2** is completely switched to the **EXT** position and that the individual switches in **SW1** are in the up or **ON** position. Move the switches to their opposite position and back again to confirm that they have completely seated in the correct position.
 - 3.3.2. Make sure all **Excitation Adjust** potentiometers **LC1**, **LC2**, **LC3**, **LC4** mounted above **SW1** are set at maximum by turning fully clockwise. The potentiometers are 25-turn and a slight "clicking" sound can be heard and/or felt at the endpoint. Recheck excitation voltage readings.
 - 3.3.3. If the problem continues, remove the wiring to terminals 1 (**EXC +**) and terminals 2 (**EXC -**) of each load cell terminal block **LC1**, **LC2**, **LC3**, and **LC4**. Recheck excitation voltage readings.
 - 3.3.4. If the problem goes away, connect each strain gauge one at a time to its corresponding terminal block and measure the value at terminals 1 and 2. Repeat, as necessary, for the remaining strain gauges. If the problem re-occurs, check for improper strain gauge wiring and/or a faulty load cell.
4. If the voltage readings vary by a few millivolts, adjust each **Excitation Adjust** potentiometer **LC1**, **LC2**, **LC3**, **LC4** mounted above **SW1** so that the readings at terminals 1 and 2 of the corresponding terminal blocks are exactly equal to the excitation voltage required.

API SUM Strain Gauge Summing Board

API SUM 000 LOAD CELL CALIBRATION

1. Apply the same known test weight sequentially and individually over each load cell. Measure and record the readings at terminals 4 and 5 (**SIG -** and **SIG +**) of each terminal block **LC1**, **LC2**, **LC3**, and **LC4**. Take care to place the weight directly over the cell (if possible), or in the same position relative to the cell, each time a reading is taken. This will minimize the number of times the procedure must be repeated.

Terminal Block **LC1** (**SIG -** to **SIG +**): Signal Voltage _____ Volts

Terminal Block **LC2** (**SIG -** to **SIG +**): Signal Voltage _____ Volts

Terminal Block **LC3** (**SIG -** to **SIG +**): Signal Voltage _____ Volts

Terminal Block **LC4** (**SIG -** to **SIG +**): Signal Voltage _____ Volts

2. Each voltage reading should be very close or equal to each other. If the voltage readings are equal, sum board calibration is complete and any further calibration or scaling is done at the user's display or control equipment. If there is any variation, continue with step 3.
3. Disable the load cells by sliding the individual switches on **SW1** to the **OFF** (down) position except for the load cell) that had the *highest* recorded reading in step 1. It is not necessary to disconnect the load cell wiring. Do not enable any of the other load cells at this time.
4. Apply the same test weight from step 1 in the same position over the high-reading load cell.
5. Connect the volt meter leads to terminal block **J5** to read terminals 4 (**SIG -**) and 5 (**SIG +**)
6. While monitoring the reading at **J5 SIG -** and **J5 SIG +**, turn the **Signal Adjust** potentiometer (**LC1**, **LC2**, **LC3**, or **LC4** below **SW1**) corresponding to the enabled cell so that the meter reads the same as the lowest value recorded in step 1.
7. Repeat steps 3 through 6 for each strain gauge (load cell) that read greater than the lowest reading recorded in step 1. It is not necessary to adjust the signal potentiometer for the strain gauge (load cell) that had the lowest reading.
8. Once all necessary adjustments have been made, repeat steps 1 through 7 until the readings are equal. Once all readings are equal, the sum board calibration is complete and any further calibration or scaling is done at the user's display or control equipment.

API SUM Strain Gauge Summing Board

API SUM 025 SETUP

The strain gauge signal conditioning module must be set up and calibrated to match the system requirements (strain gauge sensitivities, excitation supply voltages, offset, and output).

1. Make sure the necessary steps on page 3 of this manual have been followed with regard to wiring and correct supply voltage to the module.
2. Plug the strain gauge signal conditioning module into the eleven pin socket.
3. Set slide switch **SW2** to the **INT** position (down). In this position, the API signal conditioner module will supply excitation voltage to the load cells.
4. For each strain gauge (load cell) installed, the corresponding slide switch (**SW1**) is set to the **ON** (up) position. The load cell terminal blocks and slide switches are matched as follows

Terminal Block **LC1** = **SW1-1**

Terminal Block **LC2** = **SW1-2**

Terminal Block **LC3** = **SW1-3**

Terminal Block **LC4** = **SW1-4**

5. If a load cell is not being used, slide its corresponding switch to the **OFF** (down) position. The individual switches in **SW1** are used to electrically add or remove the corresponding load cell. This is useful when less than four load cells are used or when one or more must be removed for service.
6. Before calibration, set all **Signal Adjust** potentiometers (**LC1, LC2, LC3, LC4** mounted below **SW1**) to maximum by turning fully clockwise (CW). The potentiometers are 25-turn and a slight clicking sound can be heard and/or felt at the endpoint. The potentiometer will not be damaged by turning beyond the endpoint.
7. Before calibration, set all **Excitation Adjust** potentiometers (**LC1, LC2, LC3, LC4** mounted above **SW1**) to maximum by turning fully clockwise (CW). The potentiometers are 25-turn and a slight clicking sound can be heard and/or felt at the endpoint. The potentiometer will not be damaged by turning beyond the endpoint.

API SUM Strain Gauge Summing Board

API SUM 025 CALIBRATION

The strain gauge signal conditioning module can be calibrated separately from the API SUM board or while installed on the board. If the module has been pre-calibrated for the application, skip to "API SUM 025 EXCITATION VOLTAGE CALIBRATION".

There are two methods for calibrating the strain gauge signal conditioning module while it is plugged into the API SUM board. The method you choose will depend upon the test equipment available.

Millivolt Generator Method

1. The strain gauge signal conditioning module must be plugged into the 11-pin socket.
2. The power connected to terminal block **J6** must match the power required by the strain gauge signal conditioning module, **or damage will occur**. When correct, apply power. The Green and Red Loop-Tracker LEDs on the module should illuminate. If one or both lights do not illuminate, go to the Troubleshooting section.
3. Disable all strain gauges (load cells) by sliding all four switches of **SW1** to the **OFF** (down) position. It is not necessary to disconnect the load cell wiring.
4. Set slide switch **SW2** to the **EXT** (up) position.
5. Connect an accurate millivolt generator to terminal block **J5** terminals **SIG –** and **SIG +**.
6. Connect an accurate voltmeter to terminal block **J5** terminals **SIG –** and **SIG +**.
7. Follow the setup and calibration procedures on the data sheet supplied with the module. Use the millivolt generator as the input and read the output with the digital voltmeter.
8. Disconnect the millivolt generator and digital voltmeter.
9. Reposition **SW2** to the **INT** (down) position.
10. Re-enable all active load cells by sliding their corresponding switches on **SW1** to the **ON** (up) position.
11. Skip to "API SUM 025 EXCITATION VOLTAGE CALIBRATION".

Bridge Simulator Method

1. The strain gauge signal conditioning module must be plugged into the 11-pin socket.
2. The power connected to terminal block **J6** must match the power required by the strain gauge signal conditioning module, **or damage will occur**. When correct, apply power. The Green and Red Loop-Tracker LEDs on the module should illuminate. If one or both lights do not illuminate, go to the Troubleshooting section.
3. Disconnect the load cell wiring from terminal block **LC1**. It is not necessary to disconnect the wiring at **LC2**, **LC3**, or **LC4**.
4. Turn on **LC1** by sliding switch **1** of **SW1** to the **ON** (up) position. Turn off **LC2**, **LC3**, and **LC4** by sliding switches **2** thru **4** of **SW1** to the **OFF** (down) positions.
5. Connect an accurate Bridge Simulator to terminal block **LC1** in place of the actual load cell.
6. Slide switch **SW2** must be in the **INT** (down) position.
7. Connect an accurate digital voltmeter to terminal block **J5** terminals **SIG –** and **SIG +**.
8. Follow the setup and calibration procedures on the data sheet supplied with the module. Use the bridge simulator as the input and read the output with the digital voltmeter.
9. Disconnect both the bridge simulator and digital voltmeter. Reconnect the strain gauge (load cell) to terminal block **LC1**. Turn on all active load cells by sliding their corresponding switches on **SW1** to the **ON** (up) position.
10. Continue to "API SUM 025 EXCITATION VOLTAGE CALIBRATION".

API SUM Strain Gauge Summing Board

API SUM 025 EXCITATION VOLTAGE CALIBRATION

1. Measure and record the Excitation Voltage at terminal block **J5** terminal 1 (**EXC +**) and terminal 2 (**EXC -**).

Terminal Block **J5** (**EXC -** to **EXC +**): Excitation Voltage _____ Volts

2. Measure and record the Excitation Voltage at terminal 1 (**EXC +**) and terminal 2 (**EXC -**) of each load cell terminal block **LC1**, **LC2**, **LC3**, and **LC4** that is being used.

Terminal Block **LC1** (**EXC -** to **EXC +**): Excitation Voltage _____ Volts

Terminal Block **LC2** (**EXC -** to **EXC +**): Excitation Voltage _____ Volts

Terminal Block **LC3** (**EXC -** to **EXC +**): Excitation Voltage _____ Volts

Terminal Block **LC4** (**EXC -** to **EXC +**): Excitation Voltage _____ Volts

3. Each voltage reading should be very close or equal to the excitation voltage supplied externally.

3.1. If the voltage readings are equal, skip to "API SUM 025 LOAD CELL CALIBRATION".

3.2. If they vary by a few millivolts, skip to step 4.

3.3. If they are zero or vary by more than a few millivolts from the expected voltage, troubleshoot as follows in steps 3.3.1 through 3.3.4.

3.3.1. Confirm that switch **SW2** is completely switched to the **EXT** position and that the individual switches in **SW1** are in the up or **ON** position. Move the switches to their opposite position and back again to confirm that they have completely seated in the correct position.

3.3.2. Make sure all **Excitation Adjust** potentiometers **LC1**, **LC2**, **LC3**, **LC4** mounted above **SW1** are set at maximum by turning fully clockwise. The potentiometers are 25-turn and a slight "clicking" sound can be heard and/or felt at the endpoint. The potentiometer will not be damaged by turning beyond the endpoint. Recheck excitation voltage readings.

3.3.3. If the problem continues, remove the wiring to terminals 1 (**EXC +**) and terminals 2 (**EXC -**) of each load cell terminal block **LC1**, **LC2**, **LC3**, and **LC4**. Recheck excitation voltage readings.

3.3.4. If the problem goes away, connect each strain gauge one at a time to its corresponding terminal block and measure the value at terminals 1 and 2. Repeat, as necessary, for the remaining strain gauges. If the problem re-occurs, check for improper strain gauge wiring and/or a faulty load cell.

4. If the voltage readings vary by a few millivolts, adjust each **Excitation Adjust** potentiometer **LC1**, **LC2**, **LC3**, **LC4** mounted above **SW1** so that the readings at terminals 1 and 2 of the corresponding terminal blocks are exactly equal to the excitation voltage required.

API SUM Strain Gauge Summing Board

API SUM 025 LOAD CELL CALIBRATION

1. Apply the same known test weight sequentially and individually over each load cell and record the readings at terminals 4 and 5 (**SIG –** and **SIG +**) of each terminal block **LC1**, **LC2**, **LC3**, and **LC4**. Take care to place the weight directly over the cell (if possible), or in the same position relative to the cell, each time a reading is taken. This will minimize the number of times the procedure must be repeated.

Terminal Block **LC1 (SIG – to SIG +)**: Signal Voltage _____ Volts

Terminal Block **LC2 (SIG – to SIG +)**: Signal Voltage _____ Volts

Terminal Block **LC3 (SIG – to SIG +)**: Signal Voltage _____ Volts

Terminal Block **LC4 (SIG – to SIG +)**: Signal Voltage _____ Volts

2. If the voltage readings are equal, sum board calibration is complete. Any further calibration is done at "API SUM 025 FINAL ADJUSTMENT". If there is any variation, continue with step 3.
3. Disable the load cells by sliding the individual switches on **SW1** to the **OFF** (down) position except for the load cell that had the *highest* recorded reading in step 1. It is not necessary to disconnect the load cell wiring. Do not enable any of the other load cells at this time.
4. Apply the same test weight from step 1 in the same position over the high-reading load cell.
5. Connect the voltmeter leads to terminal block **J5** to read terminals 4 (**SIG –**) and 5 (**SIG +**)
6. While monitoring the reading at **J5 SIG –** and **J5 SIG +**, turn the **Signal Adjust** potentiometer (**LC1**, **LC2**, **LC3**, or **LC4** below **SW1**) corresponding to the enabled cell so that the meter reads the same as the lowest value recorded in step 1.
7. Repeat steps 3 through 6 for each strain gauge (load cell) that read greater than the lowest reading recorded in step 1. It is not necessary to adjust the signal potentiometer for the strain gauge (load cell) that had the lowest reading.
8. Once all necessary adjustments have been made, repeat steps 1 through 7 until the readings are equal. Once all readings are equal, the sum board calibration is complete and any further calibration done in the next section.

API SUM 025 FINAL ADJUSTMENT

1. The final step is to fine-tune the zero and span potentiometers on the signal conditioning module for the correct DC output.
2. Temporarily disconnect the output wiring from terminal block **J5** terminals 6 **OUT–** and 7 **OUT+**.
3. Make sure that there is no load on any of the load cells. Using the digital voltmeter, measure the output at terminal block **J5**, terminals 6 **OUT–** and 7 **OUT+**.
4. The reading should match the lowest value that was selected when calibrating the strain gauge signal conditioning module. For example, if 4 to 20 mADC is the desired output, this reading should be 4 mADC. Fine tune by adjusting the **Zero** pot on the module to obtain the desired output with no load.
5. Apply a full load to the load cells and measure the output at **J5** terminals 6 **OUT–** and 7 **OUT+**.
6. The reading should now match the highest value chosen when calibrating strain gauge signal conditioning module. For example, if 4 to 20 mADC was chosen, this reading should be 20 mADC. Fine tune by adjusting the span pot on the module to obtain the desired output with a full load on the load cells.
7. Repeat steps 3 through 6 as required for final tuning.
8. Reconnect the output wiring to **J5** terminals 6 **OUT–** and 7 **OUT+**.
9. Remove all test leads. Calibration is complete.

API SUM Strain Gauge Summing Board

API SUM 025 TROUBLESHOOTING

1. Both API 4059 LoopTracker LEDs are not illuminated.

- 1.1. Confirm that the power wiring to terminal block **J6** terminals 1, 2 and 3 is correct and that all connections are secure.
- 1.2. Check to ensure the strain gauge signal conditioning module is inserted fully into its socket.
- 1.3. Using a digital voltmeter, measure the power at **J6** terminals 1 (**AC or DC+**) and 3 (**AC or DC-**) to confirm incoming power. The power *MUST* match that of the strain gauge signal conditioning module.

2. Only one API 4059 LoopTracker LED is illuminated.

- 2.1. Check to make sure the strain gauge signal conditioning module is inserted fully into its socket.
- 2.2. If the Green LED *IS NOT* illuminated, check all input wiring from the load cells to the terminal blocks **LC1**, **LC2**, **LC3** and **LC4** for incorrect connections or broken wires. Confirm strain gauge or load cell manufacturer's wiring.
- 2.3. If the Red LED *IS NOT* illuminated, check all output wiring from the API-SUM board terminal block **J5** to the destination for incorrect connections or broken wires.
- 2.4. Remove the strain gauge signal conditioning module from its socket and reconfirm that all the switches are set properly. If possible, check the calibration separate from the API-SUM board. After confirming the calibration and correct operation of the module, re-insert it into its socket on the API-SUM board and re-apply power. If the problem still exists, call the factory at 800-942-0315 for assistance.

3. The DC voltage or current output is zero or does not match the calibration of the API 4059.

- 3.1. Check the Red and Green LEDs on top of the module. They should both be illuminated. If one or both LEDs are NOT illuminated, see above.
- 3.2. Push the "Test Pushbutton" on top of the module. The Green and Red LEDs on top of the module should both illuminate to approximately mid-intensity.
- 3.3. Connect a digital voltmeter to terminal block **J5** terminals 6 **OUT-** and 7 **OUT+**. Again, push and hold the "Test Pushbutton" on top of the module. The output should be equal to the value that was preset during calibration of the module.
- 3.4. Check to make sure the strain gauge signal conditioning module is inserted fully into its socket and test again.
- 3.5. Go to the next section to test the strain gauge signal conditioning module.

4. Testing the strain gauge signal conditioning module.

- 4.1. If it is NOT possible or desirable to test the strain gauge signal conditioning module separate from the API SUM board, call the factory at **800-942-0315** for assistance.
- 4.2. **REMOVE ALL POWER TO THE API SUM BOARD ASSEMBLY.**
- 4.3. Carefully remove the strain gauge signal conditioning module from its socket.
- 4.4. Using the range selection tables supplied with the module, confirm that all switches are set properly for the desired excitation voltage, input, and output.
- 4.5. **THE POWER, INPUT and OUTPUT SETTINGS FOR ALL TEST EQUIPMENT MUST MATCH THE CONFIGURATION OF THE STRAIN GAUGE SIGNAL CONDITIONING MODULE. OTHERWISE, PERMANENT DAMAGE MAY OCCUR!!**
- 4.6. Using the proper test and calibration equipment, check all functions on the strain gauge signal conditioning module for correct operation. Refer to the data sheet provided.
- 4.7. If a problem exists, call the factory at **800-942-0315** for assistance.
- 4.8. If the set up and operation of the module is correct, return to the section where the original problem occurred and repeat all tests.

API SUM Strain Gauge Summing Board

STRAIN GAUGE (LOAD CELL) INFORMATION

Troubleshooting a Pressure Transducer, Load Cell, Strain Gauge or Bridge

Using a meter with at least 10 megaohm input impedance, measure the voltage coming from the strain gauge at the locations shown. Sensitivity is measured in mV/V.

Positive Meter Lead	Negative Meter Lead	Meter Reading No pressure/load	Meter Reading Full pressure/load
+ Exc	- Exc	Excitation Voltage	Excitation Voltage
+ Sig	- Exc	+ ½ Excitation Voltage	½ Excitation Voltage + (½ x Excitation Voltage x Sensitivity)
- Sig	- Exc	+ ½ Excitation Voltage	½ Excitation Voltage - (½ x Excitation Voltage x Sensitivity)
+ Sig	- Sig	Zero Volts	Excitation Voltage x Sensitivity

Typical wiring color codes for load cells. Always consult manufacturer! Exceptions and/or custom wire colors exist!

Manufacturer	+ Excitation	- Excitation	+ Signal	- Signal	Shield	+ Sense	- Sense
A & D	Red	White	Green	Blue	Yellow		
Allegany	Green	Black	White	Red	Blare		
Artech	Red	Black	Green	White	Blare		
Beowulf	Green	Black	White	Red	Bare		
BLH	Green	Black	White	Red	Yellow		
Cardinal	Green	Black	White	Red	Bare		
Celtron	Red	Black	Green	White	Bare		
Digi Matex	Red	White	Green	Yellow	Silver		
Dillon	Green	White	Black	Red	Orange		
Electroscale	Red	Black	Green	White	Bare		
Entran	Red	Black	Yellow or Green	White			
Evergreen	Green	Black	White	Red	Bare		
Flintec	Green	Black	White	Red	Yellow		
Force Measurement	Red	Black	Green	White	Bare		
Futek	Red	Black	Green	White			
General Sensor	Red	Black	Green	White	Bare		
GSE	Red	Black	White	Green	Bare		
HBM	Green	Black	White	Red	Yellow		
HBM (PLC/SBE)	Red	Black	Green	White	Yellow		
Interface	Red	Black	Green	White	Bare		
Kubota	Red	White	Green	Blue	Yellow		
LeBow	Red	Black	Green	White	Bare		
Mettler Toledo	White	Blue	Green	Black	Orange	Yellow	Red
National Scale	Green	Black	White	Red	Yellow		
NCI	Red	Black	White	Green	Bare	Yellow	Blue
Nikkei	Red	Black	Green	White	Bare		
Pennsylvania	Orange	Blue	Green	White	Blare		
Philips	Red	Blue	Green	Gray	Bare		
Presage Promotion	Blue	White	Red	Black	Yellow		
Revere	Green	Black	White	Red	Orange		
Rice Lake	Red	Black	Green	White	Blare		
Sensortronic	Red	Black	Green	White	Blare		
Sensortronic (column)	Green	Black	White	Red	Blare		
Sensotec	Red	Black	White	Green	Bare		
Strainsert	Red	Black	Green	White	Bare		
T-Hydrionics	Red	Black	Green	White	Bare		
Tedea Huntleigh	Green	Black	Red	White	Blare	Blue	Brown
Thames Side	Red	Blue	Green	Yellow	Bare		
Toledo	Green	Black	White	Red	Yellow		
Totalcomp	Red	Black	Green	White	Blare		
Transducers Inc.	Red	Black	Green	White	Orange		
Weigh-Tronix	Green	Black	White	Red	Orange		