

**Absolute Process Instruments, Inc.**

Manufacturer of Quality Signal Conditioners Transmitters & Isolators

## Application Notes

- General Info
- Temperature
- Pressure
- Flow
- Speed
- Weighing
- Process

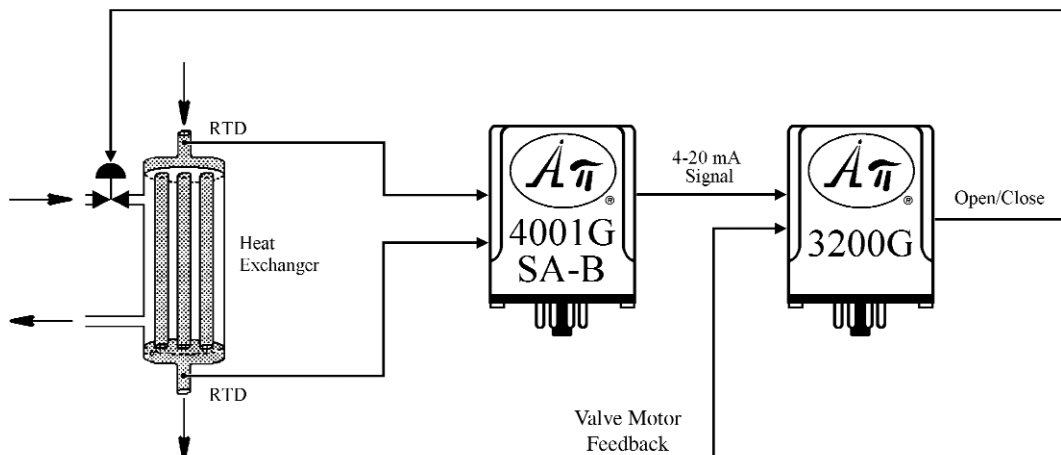
### Maintaining a Constant Differential Temperature Across a Heat Exchanger

#### PROBLEM

A critical process requires precise control of the change in temperature of the process fluid across a heat exchanger.

#### SOLUTION

Install RTDs at the process fluid heat exchanger inlet and outlet and connect the RTDs to an **API 4001G SA-B** Non-Isolated Differential RTD to DC Transmitter module.



The **API 4001 G SA-B** computes the differential temperature and provides a proportional 4-20 mA output signal which is used by the **API 3200 G** Valve/Actuator Positioner/Controller module to drive the temperature control valve open or closed as necessary to maintain the required process fluid temperature differential.

#### Did You Know...?

Api never charges an expediting fee and will accept American Express, MasterCard, and Visa credit cards.

**FREE APPLICATION ASSISTANCE**

Call  Customer Service

**800-942-0315**

